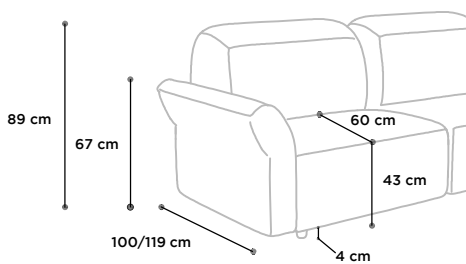
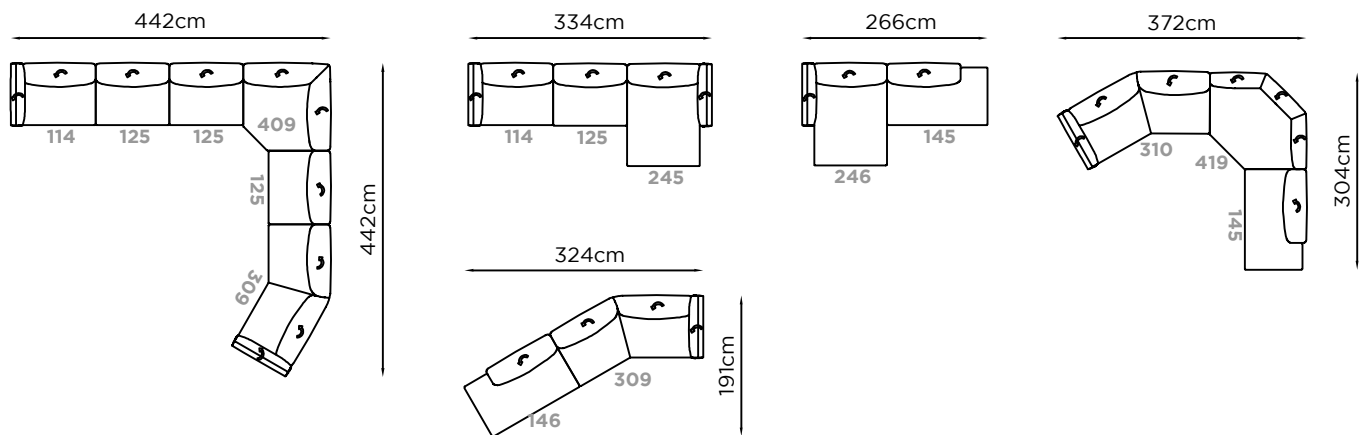
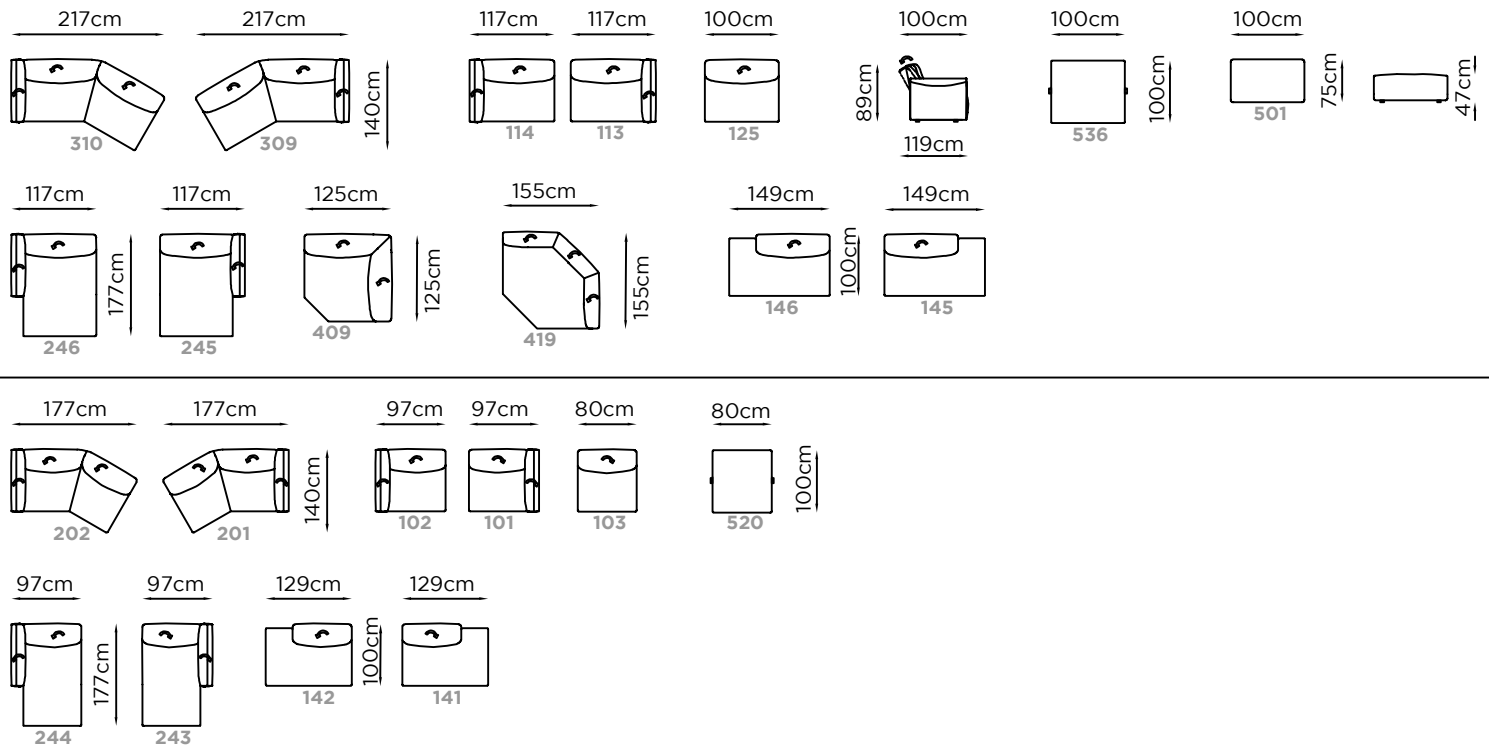


# CARRERA



Piede  
Legs  
Piètement

Plastica  
Plastic  
Plastique

RIVESTIMENTO			COVERING			REVETEMENTS		
Tessuto			Fabric			Tissu		
IMBOTTITURA			FILLING			REMBOURRAGE		
BRACCIOLO	CUSCINO SEDUTA	CUSCINO SPALLIERA	ARMS	SEAT CUSHION	BACK CUSHION	ACCOUDOIR	COUSSIN D'ASSISE	COUSSIN DE DOSSIER
Gomma	Gomma Piuma	Gomma Piuma	Foam	Foam Feather	Foam Feather	Mousse	Mousse Plume	Mousse Plume
COMFORT			COMFORT			CONFORT		
Standard			Standard			Standard		
FUNZIONE			FUNCTION			FONCTION		
Spalliera reclinare manuale Braccio regolabile tipo manuale			Manual recliner backrest Manually adjustable arm			Dossier inclinable manuel Accoudeoir à réglage manuel		
OPZIONI			OPTION			OPTION		
Cuciture a contrasto Tessuto sfoderabile			Contrast stitching Removable cover			Coutures contrast Déhoussable en tissu		