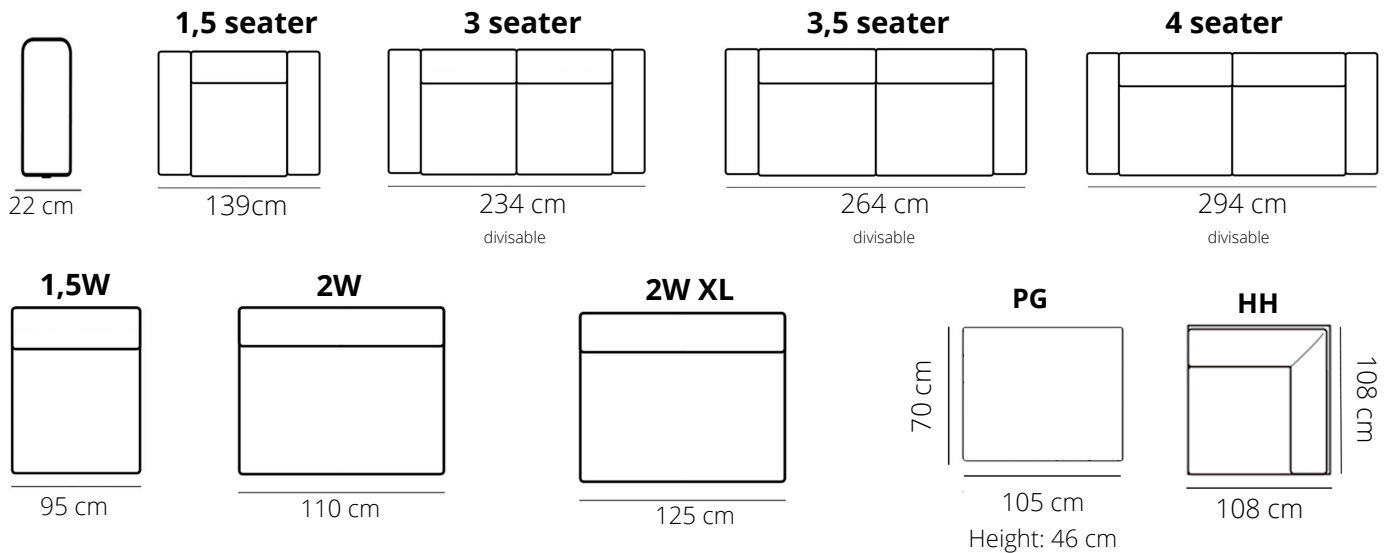


FOREST - FEVER

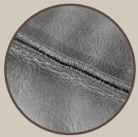


ELEMENTS



HEIGHT: 83 cm
DEPTH: 108 cm
SEAT DEPTH: 63 cm
SEAT HEIGHT: 45 cm
ARM HEIGHT: 57 cm

STITCHING



open seam



pinched seam

FOREST

only available in leather or L60 oklahoma/Colorado and fabrics Hunter

FEVER

available in leather and fabrics

PRODUCT INFO

FRAME



beechwood



chipboard

FILLING



mix down and fibre wool

SUSPENSION



no-sag springs

BACK

SEAT



foam HR 40



mix down and fibre wool

This sofa has loose seat and back cushions

Caution: with the use of different moulds, the stitchery of models in fabrics can be different from the stitchery of the same models in leather.
All sizes are approximate, technical and stylistic changes and typing errors are reserved.