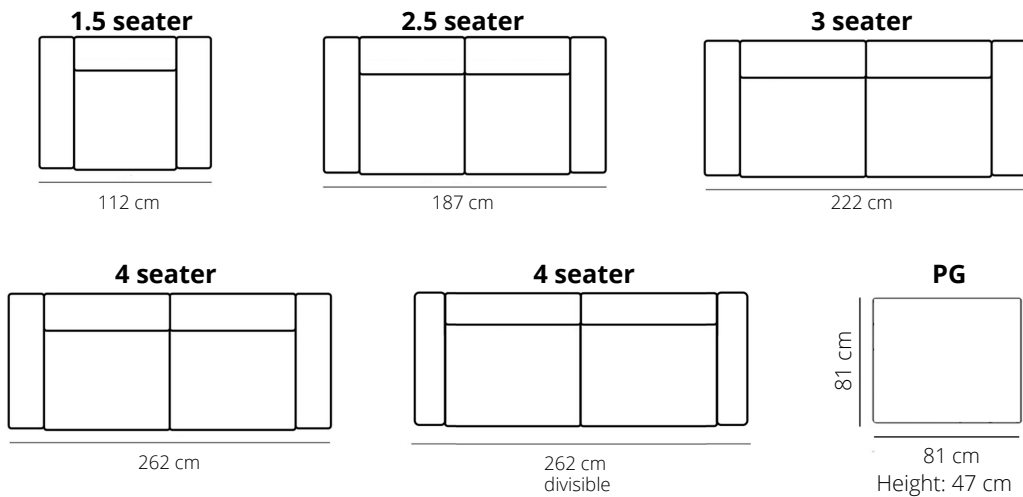


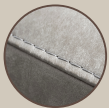
HUNTER



ELEMENTS



STITCHING



flat stitching

LEGS



E1



X



HEIGHT: 92 cm
DEPTH: 108 cm
SEAT DEPTH: 60 cm
SEAT HEIGHT: 47 cm
ARM HEIGHT: 61 cm
ARM WIDTH: 19 cm

PRODUCT INFO

FRAME



beechwood



chipboard

FILLING



fibre wool

SUSPENSION



elastic belts

BACK



foam HR 40



fibre wool



no-sag springs

SEAT

This sofa has loose seat and back cushions

Caution: with the use of different moulds, the stitching of models in fabrics can be different from the stitching of the same models in leather.
All sizes are approximate, technical and stylistic changes and typing errors are reserved.