

BONALDO

Owen

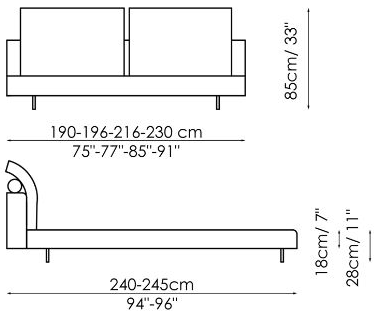


Owen is a modern design bed with strict, clean and timeless lines that can be included in any context without disrupting its essential character. Arranged in an orderly way in an impeccable visual balance, the abundant volumes of the headboard, made up of two large cushions supported by a padded bolster, enhance the sober and essential lines of the bed frame. The removable cover is made of fabric, leather or

eco-leather while the feet are in painted metal, available in different colours. In the embroidered version (Owen ego), the cover is made of fabric; part of the bed frame is also embellished with embroidery that, in contrast with the simplicity of the cushions that form the headboard, add a sense of dynamism to the whole.



Data sheet

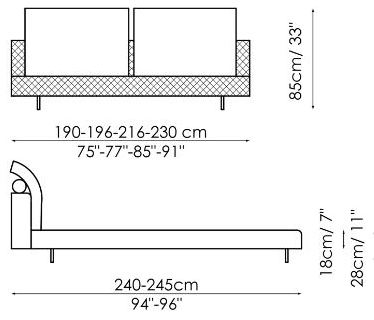


Owen

Width: 190-196-216-230cm

Depth: 240-245cm

Height: 85cm



Owen ego

Width: 190-196-216-230cm

Depth: 240-245cm

Height: 85cm

Finishes

FEET

Metal



Painted metal
Mat white



Painted metal
Mat dove grey



Painted metal
Mat anthracite grey

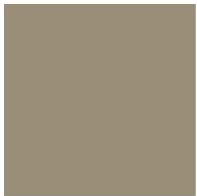


Painted metal
Mat black



Metal
Supreme anthracite

Plus Metal



Painted metal
Mat pearl gold



Painted metal
Mat bronze



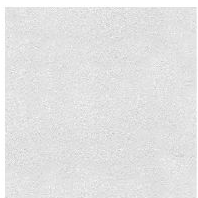
Painted metal
Mat lead

Bed accessories



Fabric
Bed blanket

Bed accessories



Fabric
Bed sheet

You can find the complete collection of Bonaldo fabrics and leathers on the website <https://www.bonaldo.biz/>

