



EasySwing - armchair 7051

Composition:  
87 / 30  
Cover:  
31 Longlife eisen

with metal skids optionally in  
stainless steel look brushed or  
anthracite (powder-coated)

**CUMULY** *comfort.*

- with Cumuly function = 4050  
- with Wallfree function = 4051

**4050**



Variant 87  
with Cumuly function  
manual or electric



Variant 70  
with Cumuly function  
manual or electric



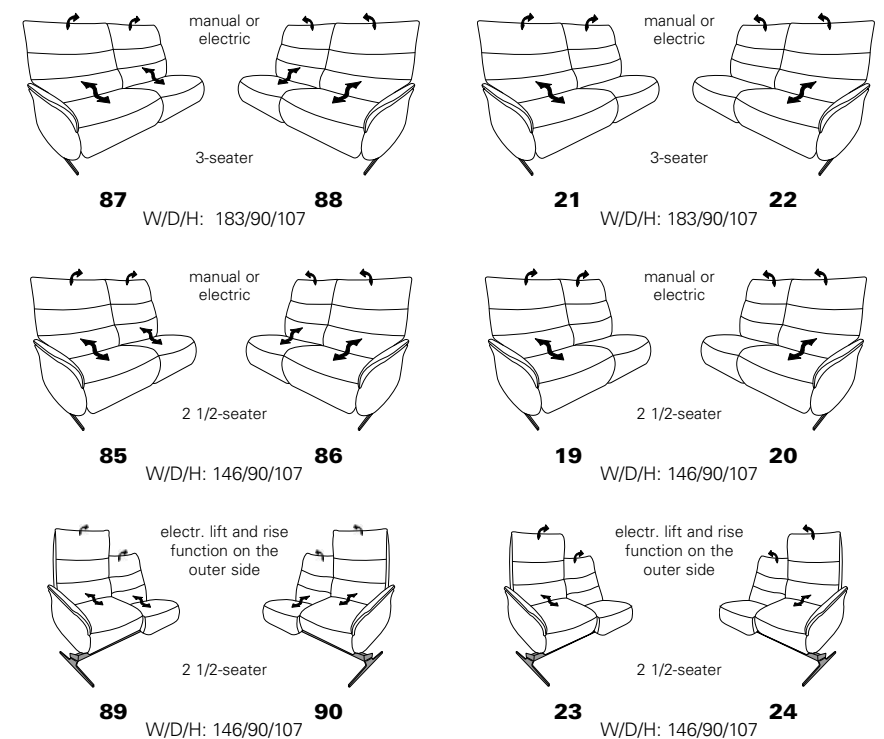
# Model plan 4050

Additional equipment for all electrical variants:

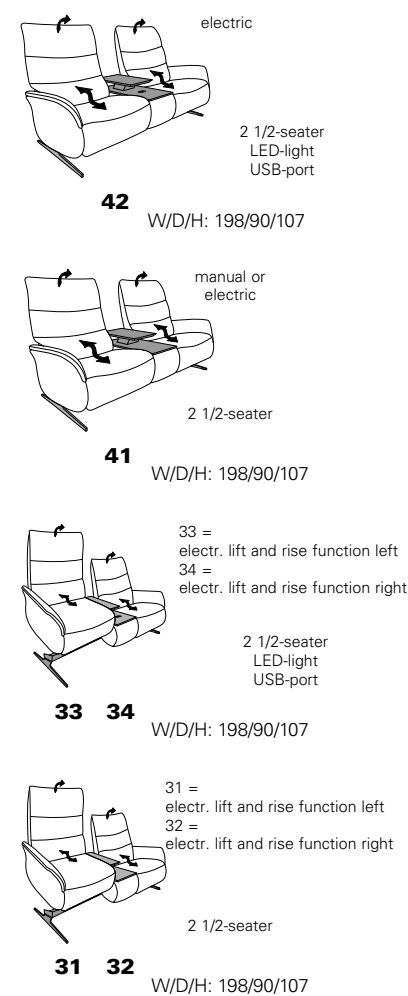
- el. headrest adjustment



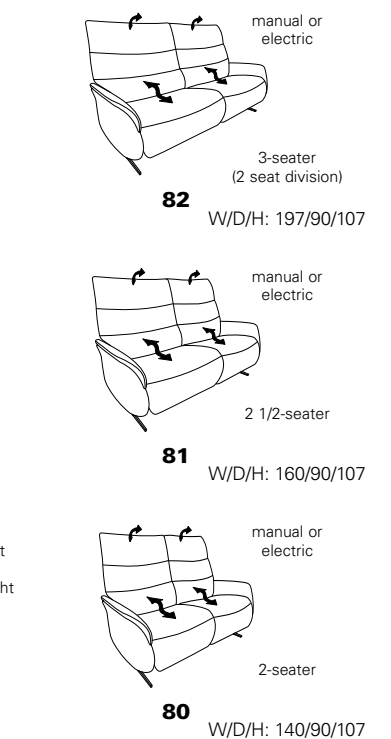
## end elements with Cumuly comfort function



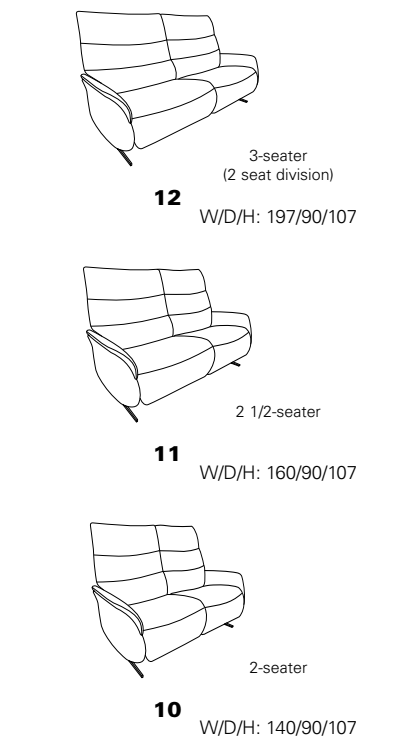
## Sofas with intermediate table



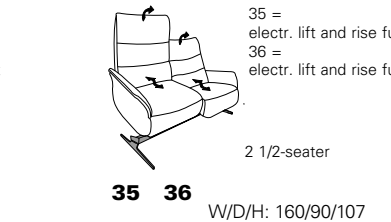
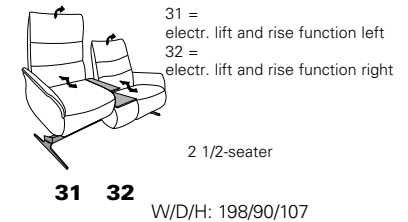
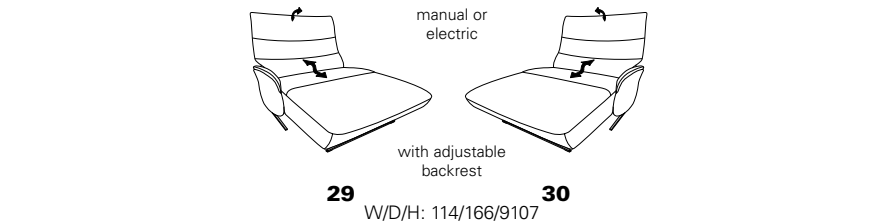
## Sofas with Cumuly comfort function



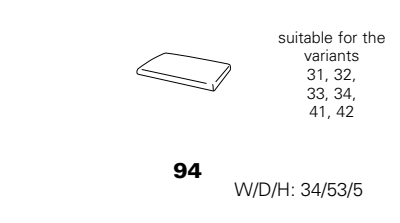
## Sofas fixed



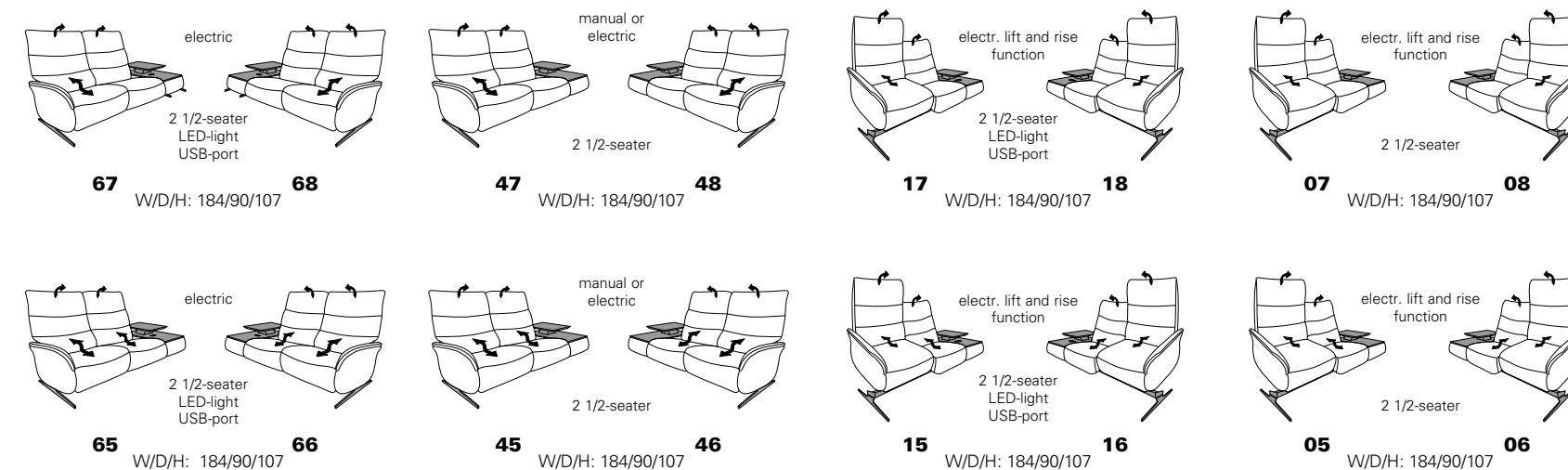
## recamiere with function



## cushion for intermediate table



## end elements with intermediate table



## Trapezoidal sofa

